

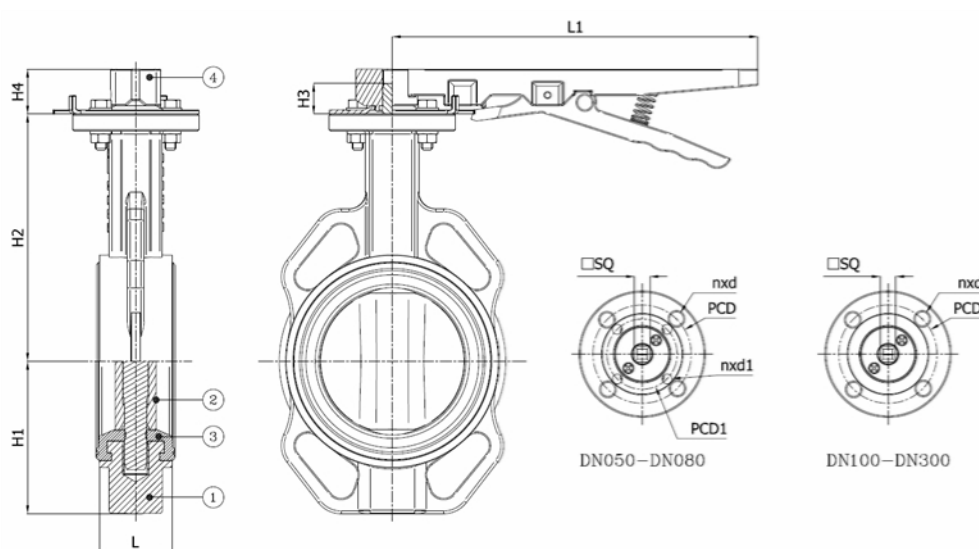
BV10NP-2366E-PN10/PN16/A150 - Lever

Wafer type butterfly valve, mounting between flanges PN10/PN16/A150, with lockable lever

Face to Face Standard: EN 558-1 Table 1 series 20



Item Number	Belven Ref
101026NPE1050	BV10NP-2366E-PN16-DN050 - LEVER
101026NPE1065	BV10NP-2366E-PN16-DN065 - LEVER
101026NPE1080	BV10NP-2366E-PN16-DN080 - LEVER
101026NPE1100	BV10NP-2366E-PN16-DN100 - LEVER
101026NPE1125	BV10NP-2366E-PN16-DN125 - LEVER
101026NPE1150	BV10NP-2366E-PN16-DN150 - LEVER
101026NPE1200	BV10NP-2366E-PN16-DN200 - LEVER
101026NPE1250	BV10NP-2366E-PN16-DN250 - LEVER
101026NPE1300	BV10NP-2366E-PN16-DN300 - LEVER



DN/Size	H1	H2	H3	H4	L	L1	SQ	ISO	PCD	ISO1	PCD1	n x d	n x d1	Press.Cl.	Weight(kg)
DN50 (2")	64	140,5	22	29	43	260	11	F05	50	F07	70	4 x d7	4 x d10	PN16	4.00
DN65 (2 1/2")	71,4	152,5	22	29	46	260	11	F05	50	F07	70	4 x d7	4 x d10	PN16	4.70
DN80 (3")	94	157,5	22	29	46	260	11	F05	50	F07	70	4 x d7	4 x d10	PN16	5.10
DN100 (4")	108,5	176	22	29	52	260	14	F07	70				4 x d10	PN16	6.60
DN125 (5")	119	191	22	29	56	260	14	F07	70				4 x d10	PN16	8.40
DN150 (6")	136	202,5	22	29	56	260	14	F07	70				4 x d10	PN16	9.90
DN200 (8")	165	243,5	34,5	45	60	350	17	F10	102				4 x d12	PN16	18.50
DN250 (10")	202	273	34,5	45	68	350	22	F10	102				4 x d12	PN16	25.00
DN300 (12")	235	311	34,5	45	78	350	27	F12	125				4 x d14	PN16	36.00

Item 1	Item 2	Item 3	Item 4
Body Material	Seat Material	Disc Material	Actuator Material
Cast iron : GG25 + Epoxy coating	EPDM	Stainless steel : CF8M	Maellable iron